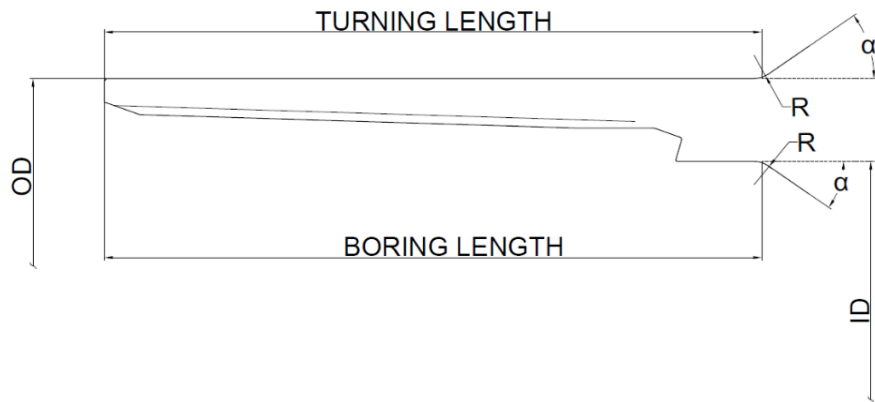


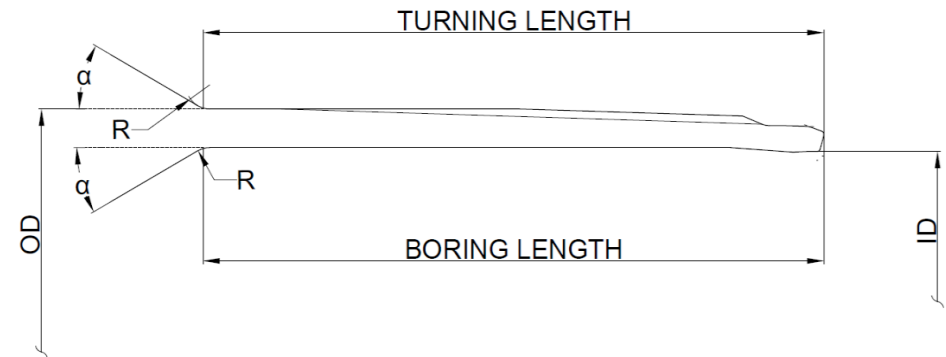
**9<sup>5</sup>/<sub>8</sub> in 47 lb/ft**

Clearance: Standard

Label	Pin/Box	OD [mm]	ID [mm]	Min. Turning Length [mm]	Min. Boring Length [mm]	OD [in]	ID [in]	Min. Turning Length [in]	Min. Boring Length [in]
9 <sup>5</sup> / <sub>8</sub> in 47 lb/ft	BOX	266.76 ± 0.50	219.30 ± 0.20	162.50	162.50	10.502 ± 0.020	8.634 ± 0.008	6.398	6.398
	PIN	245.09 ± 1.83	220.30 ± 0.20	166.80	166.80	9.649 ± 0.072	8.673 ± 0.008	6.567	6.567



**BOX**



**PIN**

$R_{\min} = 20 \text{ mm} = 0.79 \text{ in}$

$\alpha_{\min} = 30^\circ$



[www.sentinelconnections.com](http://www.sentinelconnections.com)

PCBD-SENTINEL\_Prime-9.625-47

Date of issue (dd/mm/yyyy): 31/10/2024